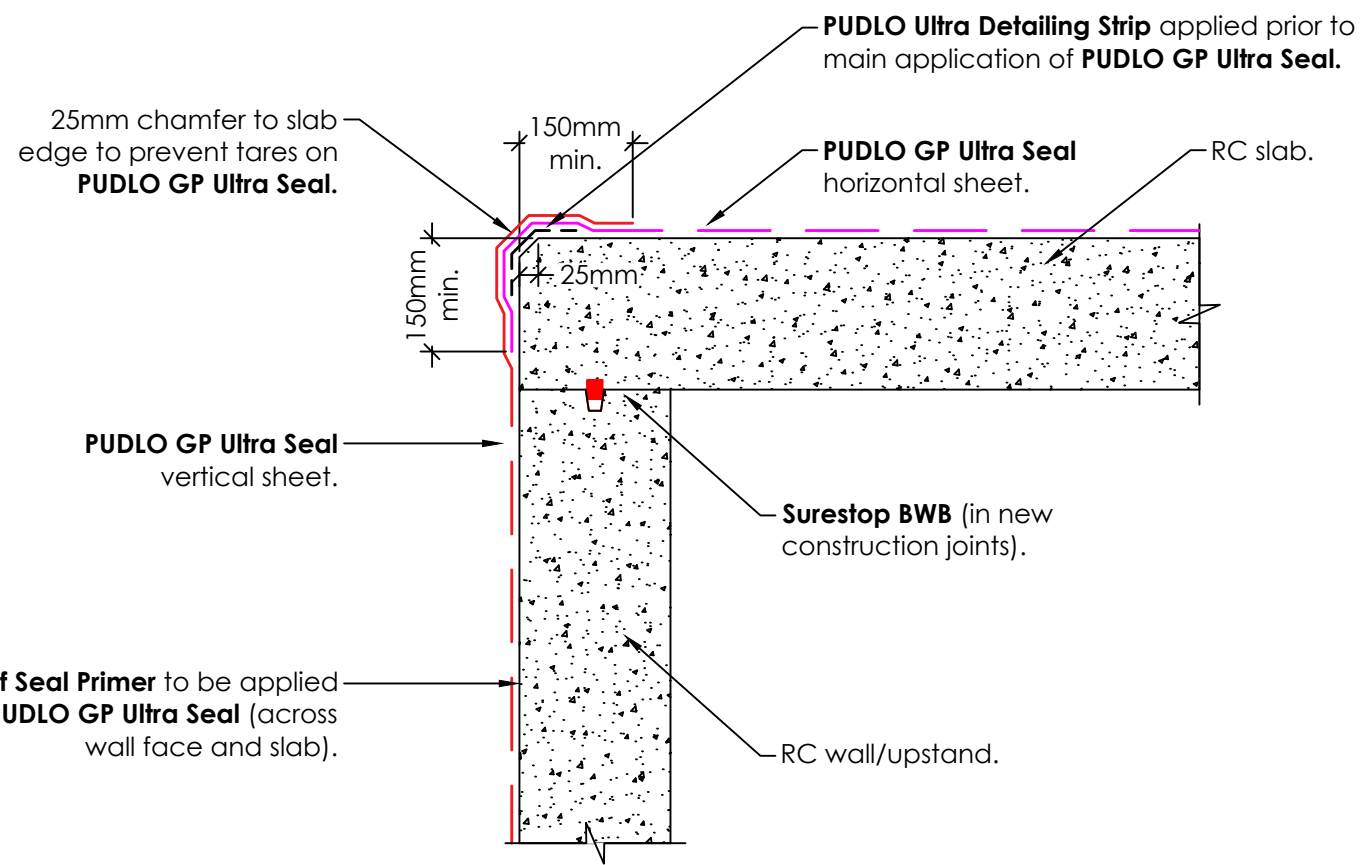
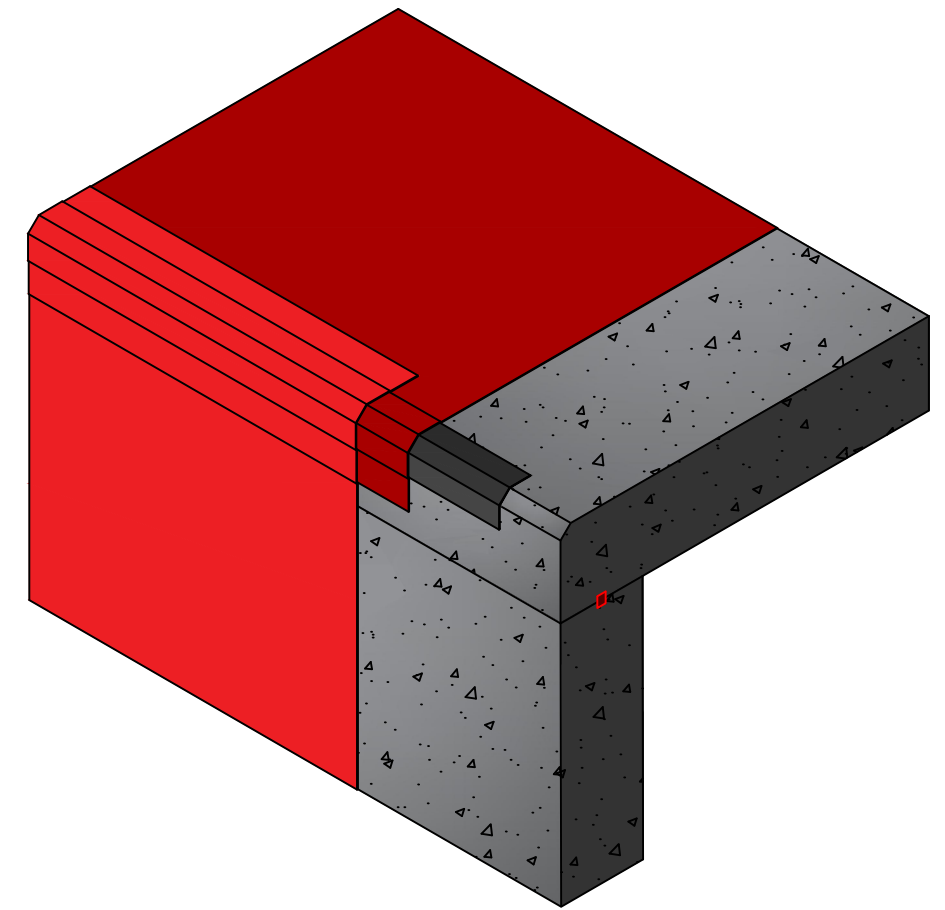


N.A. - When VOC gases are present **ALL** jointing is to be **HEAT WELDED** by a GNVQ Lvl 2 qualified specialist.



1 Section Elevation Detail
Scale: 1:10



2 Isometric Detail
Scale: nts



Part of the DB Group

Revision History

DATE	DESCRIPTION	REV.	DES.	Q.C.
23/08/19	First issue.	-	LD	LL

DB Group (Holdings) Ltd Wellington Way, Bourn Airfield Cambridge, CB23 2TQ Tel: +44 (0)1954 780687 Email: sales@pudlo.com www.dbgholdings.com/pudlo		
DRAWING TITLE	PROJECT	
ISO WALL HEAD JUNCTION DETAIL	-	
STATUS	SCALE	
FOR INFO	as shown on A3	
DRAWING NUMBER	REVISION	SHEET No.
PUDLO-TJD-GPUS-008	-	1 of 1
CLIENT		

COPYRIGHT: Not to be reproduced without written permission

A3

PUDLO/DB Group
STD Jan 2019 v1

Note:-
This PUDLO detail is to assist with the installation of it's products and ancillaries. The details shows how PUDLO gas protection membranes and it's ancillaries are to be installed. For site specific details and confirmation on the extent of where the membranes are to be installed must be confirmed by the structural engineers / contractor. Individual / company responsibility for design of the structure must ensure that details shown on PUDLO drawings match the latest construction issue drawings.
All products specified and the design should comply with the latest industry guidelines where applicable - BS84845:2015 'Code of practice for the design of protective measures for methane and carbon dioxide ground gases for new buildings. CIRIA C748 'Guidance on the use of plastic membranes as VOC vapour barriers. Gas protection membranes should also be independently verified by 3rd party in accordance with CIRIA C735 'Testing and verification of gas protection systems'. Information of gas validators are available upon request.
The information shown on this detail is given without obligation, or warranty **PRIOR** to consultation or communication with PUDLO/DB Group Ltd.