

PUDLO GP Ultra Seal 'star-cut' to diameter of service plus 300mm relief at each quadrant.

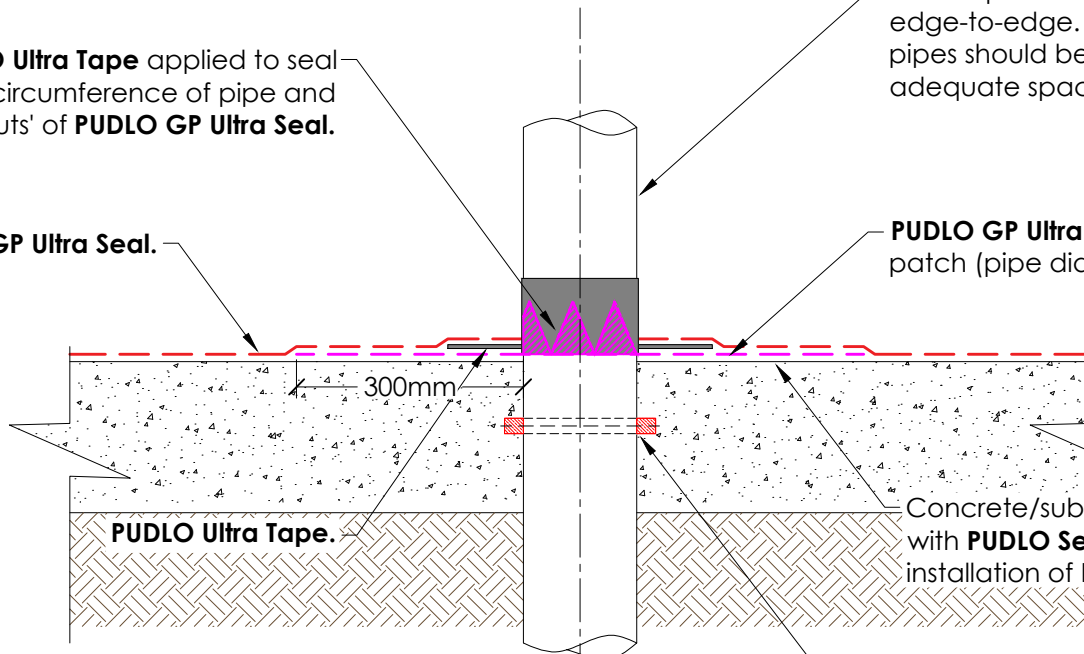
② Membrane Patch Detail
Scale: n/s

Cast-in pens. to be spaced min. 100mm edge-to-edge. Waterbars secured to pipes should be staggered to allow adequate spacing.

PUDLO Ultra Tape applied to seal circumference of pipe and 'star-cuts' of **PUDLO GP Ultra Seal**.

PUDLO GP Ultra Seal.

PUDLO GP Ultra Seal penetration patch (pipe dia. +300mm).



① Penetration Detail
Scale: 1:10

1 No. **Surestop BWB** to be wrapped around pipe and secured with tie wire (minimum 75mm from surface of slab).

Concrete/substrate to be primed with **PUDLO Self Seal Primer** prior to installation of **PUDLO GP Ultra Seal**.



Part of the DB Group

Revision History

DATE	DESCRIPTION	REV.	DES.	Q.C.
07/10/20	100mm penetration spacing note added.	A	LD	LL
02/09/19	First issue.	-	LD	LL

DB Group (Holdings) Ltd
Wellington Way, Bourn Airfield
Cambridge, CB23 2TQ
Tel: +44 (0)1954 780687 Email: sales@pudlo.com
www.dbgholdings.com/pudlo

DRAWING TITLE SLAB PIPE PENETRATION DETAIL	PROJECT -		
STATUS FOR INFO	SCALE as shown on A4		
DRAWING NUMBER PUDLO-GPUS-013	REVISION A	SHEET No. 1 of 1	
CLIENT			

COPYRIGHT: Not to be reproduced without written permission

A4

PUDLO/DB Group
STD Jan 2019 v1

Note:-

This PUDLO detail is to assist with the installation of it's products and ancillaries. The details shows how PUDLO gas protection membranes and it's ancillaries are to be installed. For site specific details and confirmation on the extent of where the membranes are to be installed must be confirmed by the structural engineers / contractor. Individual / company responsibility for design of the structure must ensure that details shown on PUDLO drawings match the latest construction issue drawings.

All products specified and the design should comply with the latest industry guidelines where applicable - BS84845:2015 'Code of practice for the design of protective measures for methane and carbon dioxide ground gases for new buildings'. CIRIA C748 'Guidance on the use of plastic membranes as VOC vapour barriers. Gas protection membranes should also be independently verified by 3rd party in accordance with CIRIA C735 'Testing and verification of gas protection systems'. Information of gas validators are available upon request.

The information shown on this detail is given without obligation, or warranty **PRIOR** to consultation or communication with PUDLO/DB Group Ltd.