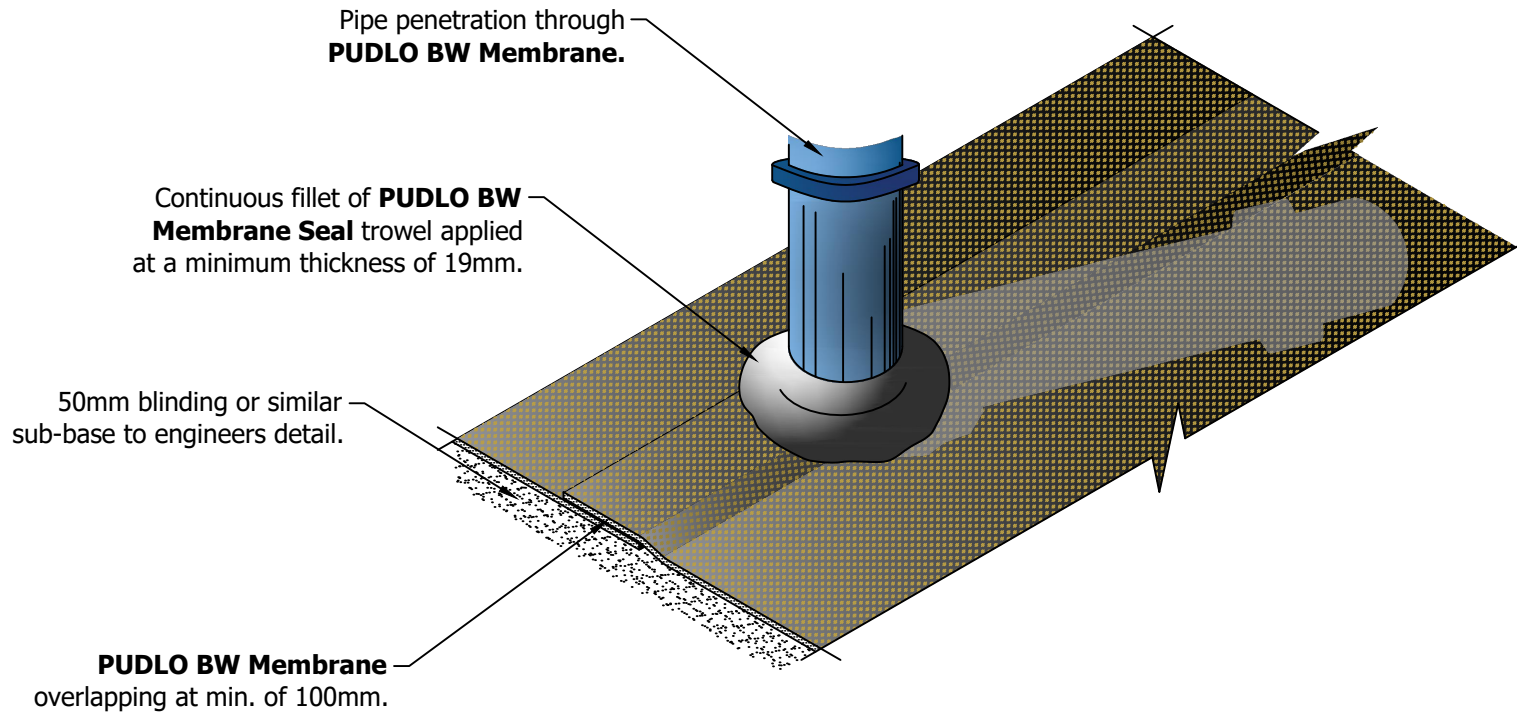


PUDLO BW Membrane
 'cross-cut' to diameter of service.
PUDLO BW Membrane to be
 passed over pipe.

N.B. - this ISO detail shows a service penetration prior to slab pour. **PUDLO BW Membrane Seal** to be trowel applied to form a neat, compacted water-tight seal to service and **PUDLO BW Membrane**.



Revision History

DATE	DESCRIPTION	REV.	DES.	Q.C.
18/09/18	Updated to September 2018 design standards.	A	LD	LL
28/06/18	First issue.	-	LD	LL

[PUDLO Waterproof Concrete Systems](http://www.pudlo.com)

Wellington Way, Bourn Airfield
 Cambridge, CB23 2TQ

Tel: +44 (0)1954 780687 Email: sales@pudlo.com

www.pudlo.com

DRAWING TITLE PIPE PENETRATION DETAIL (ISOMETRIC)	PROJECT -		
STATUS FOR INFO	SCALE as shown on A4		
DRAWING NUMBER PUDLO-TJD-BW-SS-037	REVISION A	SHEET No. 1 of 1	
CLIENT			

Note:-

This PUDLO detail is to assist with the installation of its products. The detail shows PUDLO CWP Modified Concrete and how PUDLO System accessories are to be installed. For site specific details and confirmation on extent of where PUDLO CWP Modified Concrete is used i.e. Overlay drawings, must be confirmed by structural engineers/contractor. Individual/Company responsibility for design of the structure must ensure that details shown on PUDLO drawings match the latest construction issue designs.

The information shown on this detail is given without obligation, or warranty **PRIOR** to consultation or communication with PUDLO/DBG Ltd.